

# Installation Manual FES7 COMPACT ELECTRIC STRIKE

## PRODUCT

The FES7 Compact Electric Strike is one of the smallest and most versatile strikes in the world today and is suitable for all types of door frames. Designed to be fitted in place of an entrance set strike plate means minimal effort is required when installing the unit and the compact size assists with maintaining the integrity and strength of the door frame.

The FES7 Compact Strike can be mounted on the right or left hand side of a door and operates in Fail Secure/Power to Open locking mode only.

The Compact Strike was exclusively designed to retrofit entrance set strikes and will not fit standard Australian style mortice locks.

- One of the world's smallest strikes
- Quick and easy install
- Ideal for Wooden, Steel & Aluminium Frames
- Sized to suit standard entrance set strike plates
- Continuously rated solenoid
- Australian designed
- Fail secure/Power to Open only

## WIRING AND CURRENT DRAW

**The control circuit for the door strike is not protected against reverse polarity connection and requires an additional diode protection.**

~90mA@12V DC current draw

Continuously rated solenoid

## NOTE

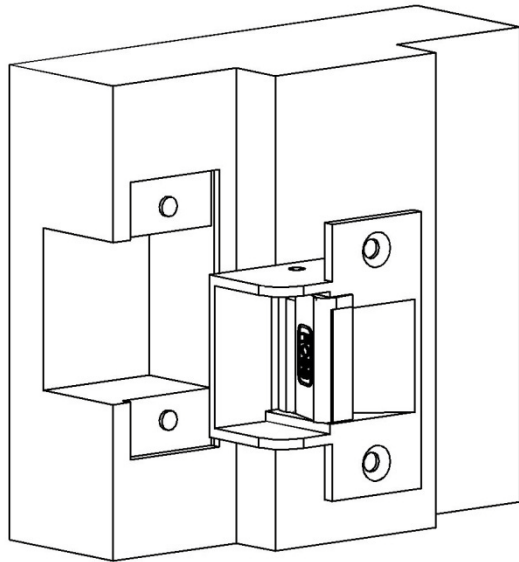
The product must not be installed in applications where it will be exposed to wind and weather (external gates etc.).

## WARRANTY

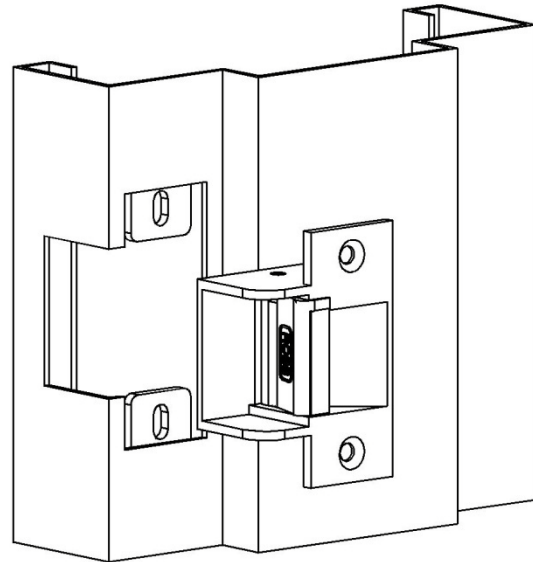
FSH Fire & Security Hardware Pty Ltd (FSH) warrants this product against faulty workmanship and materials for a period of 1 year. The warranty does not cover fair wear and tear. The product must be installed according to FSH specifications.

# INSTALLATION

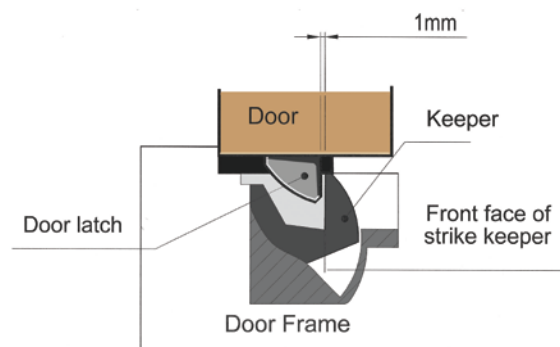
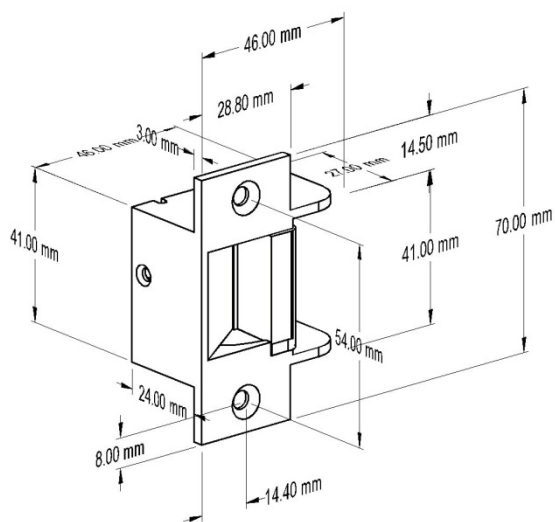
## Timber Frame



## Metal Frame



## DIMENSIONS & POSITION OF DOOR LATCH



As drawn in the diagram, there should be a 1mm gap between the door latch and the front face of the strike keeper, preventing the door from creating back pressure on the strike keeper when the door is closed.