

Please read the manual before use and keep for future reference

## Specification

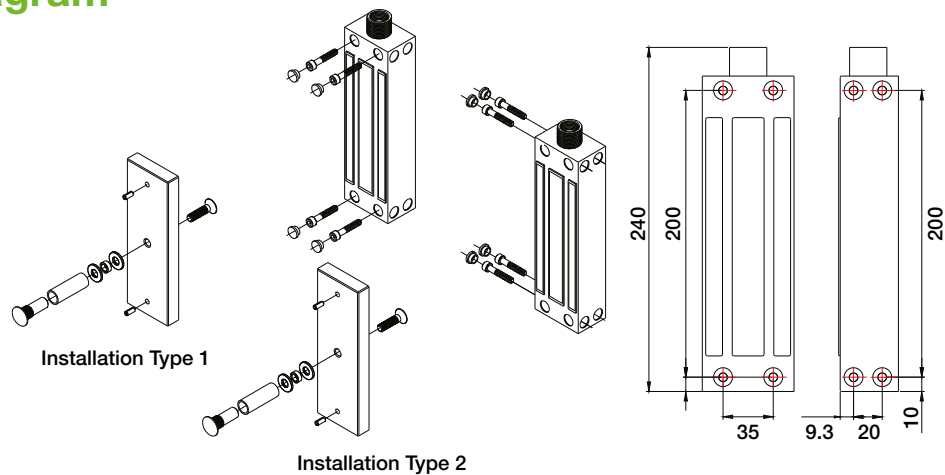
<b>Model</b>	NEWML500M
<b>Lock Size</b>	240L x 63.5W x 43H (mm)
<b>Armature Plate Dimension</b>	185L x 61W x 16H (mm)
<b>Holding Force</b>	544kg
<b>Input Voltage</b>	DC12V or DC24V

<b>Working Current</b>	12V/460mA    24V/220mA
<b>Operating Temperature</b>	-10°C ~ 70°C
<b>Sealing Protection</b>	IP67
<b>Weight</b>	4.9kg
<b>Casing</b>	Stainless steel

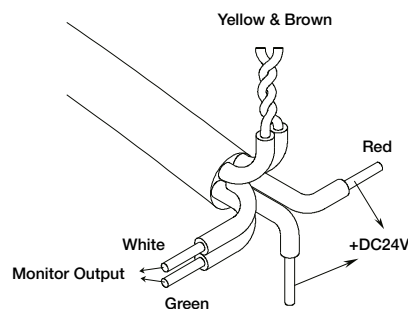
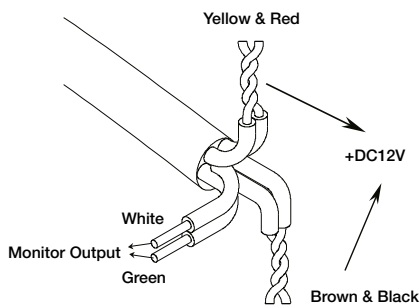
## Application Range

- **Door Type:**  
Suited for use on external gates
- **Control Mode:**  
Suited for use as part of a building intercom or access control system

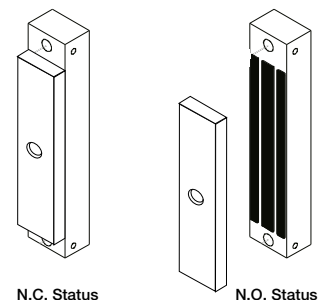
## Diagram



## Wiring of Lock



Connection Diagram

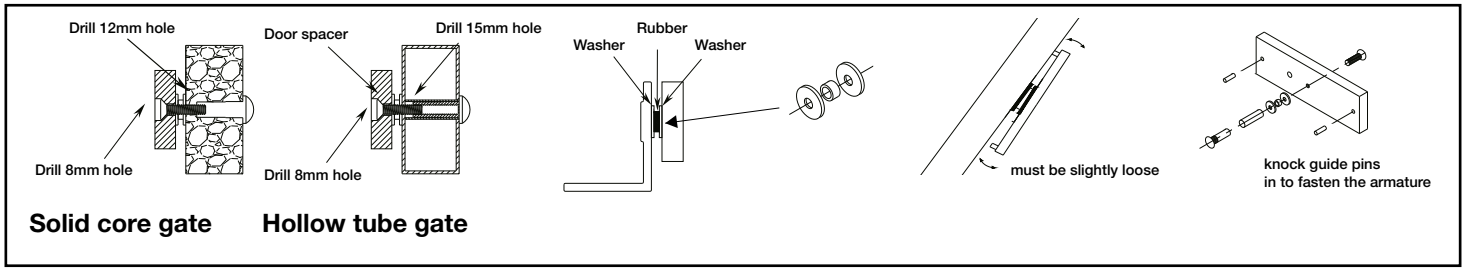


Monitor Output

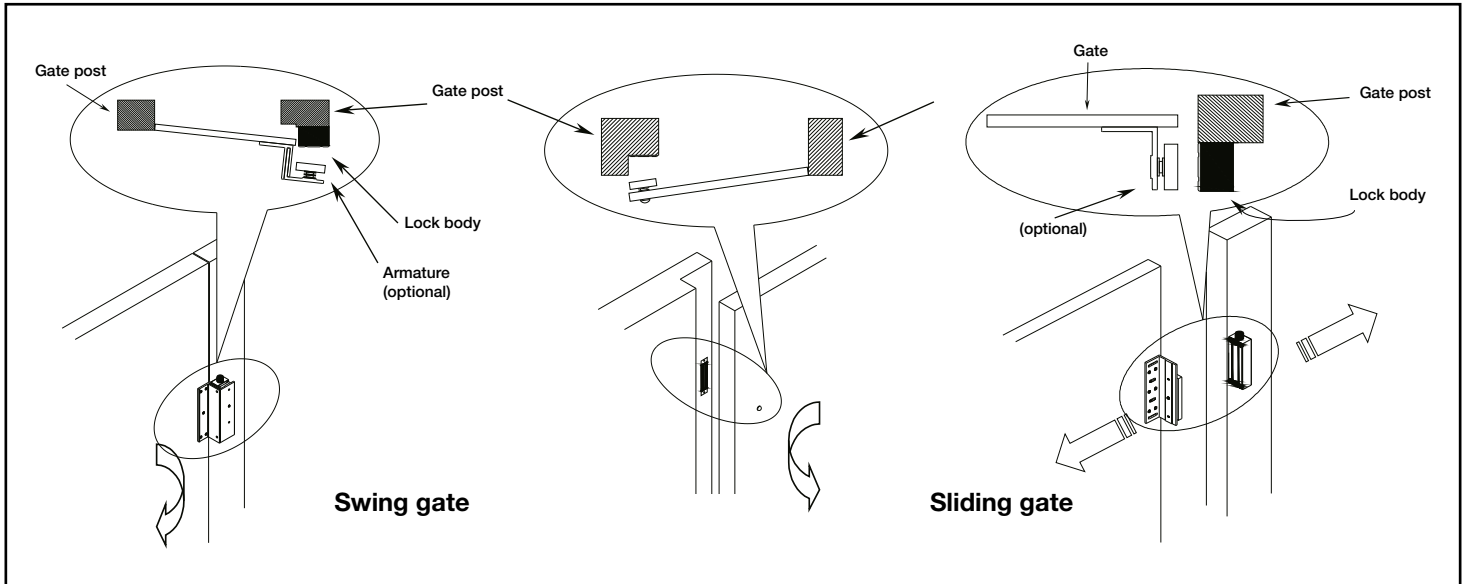
## Notes

Problem	Possible cause	Solutions
Door does not lock	No power	Check the input voltage at the EM-lock. If the voltage is zero or a low reading, double check all wire connections.
	Incorrect wiring	Refer to Connection Diagram and monitor output.
Low holding force	Lock body and armature plate did not contact properly	Make sure the lock body and armature plate are properly aligned and that all contact surfaces are clean and free from rust.
	Incorrect voltage setting	Check the power adapter with a meter, and make sure the wiring is connected correctly (DC12V/24V).
	AC voltage supply	EM-lock requires DC input voltage. When an AC transformer is used, a bridge rectifier must be installed to convert the AC output of the transformer to DC output.

## Armature installation



## Standard Mounting Method



1. Determine the type of gate (refer to diagram). Please choose the correct gate type to ensure the type of brackets required for the installation.
2. Prepare the gate post for mounting the gate lock and armature. Determine the desired location for mounting the gate lock and armature on the gate post. Make sure there is space for wiring.
3. Mount the lock body
4. Mount the armature. If you are mounting the armature directly to the gate, please refer to the armature installation diagram above for further details.
5. Verify proper alignment. Close the gate and verify the lock face and armature are making full contact of the entire armature length. Adjustments may be needed.
6. Connect the wires. Refer to Connection Diagram and Monitor Output for wiring.
7. Test the unit.
8. Insert the tamper caps into the mounting screw access holes of the lock body. This should be the last step of the installation, as once the tamper caps are in place, they are difficult to remove.

## Accessories

The following accessories are compatible with Neptune Waterproof 500 series maglocks:

Description	Model	Size (unit:mm)	Suitable for
Z bracket	NEWMLB2	220L x 70W x 73H (mm)	Sliding gates

## Warranty

Neptune Security Products warrants that this product to be free from defects in materials and workmanship for a period of one (1) year from date of purchase. In the event of failure, Neptune Security Products will replace or repair the product at its sole discretion, and will not be responsible for any loss or damages in association with uses of its products. This warranty does not apply in the event of accidental damage and improper use, abuse, misuse, non approved purpose or act of God.